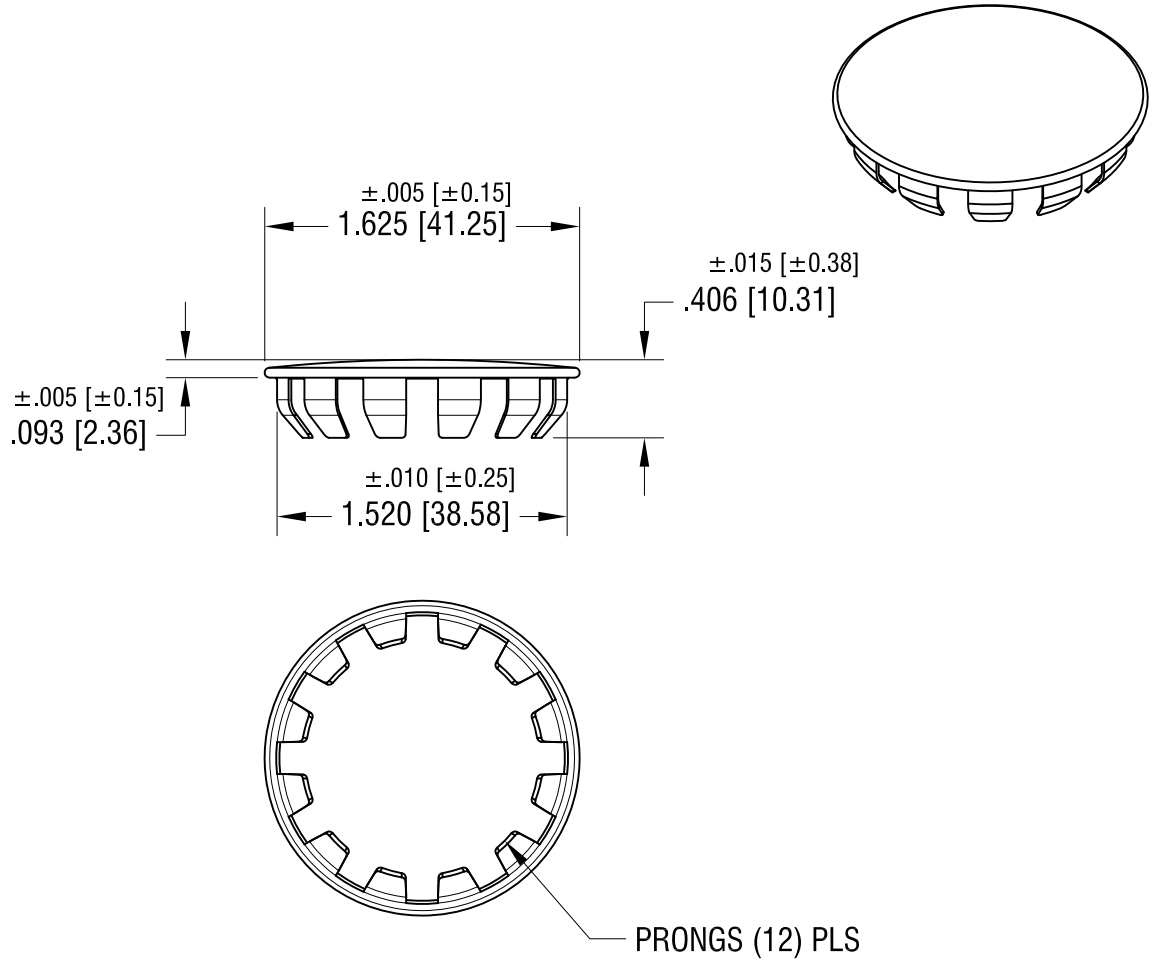


THIS DOCUMENT IS THE PROPERTY OF
KEYSTONE ELECTRONICS CORP. AND
SHALL NOT BE REPRODUCED, DISTRIBUTED
OR USED AS A BASIS FOR MANUFACTURE
WITHOUT PRIOR WRITTEN PERMISSION
FROM KEYSTONE ELECTRONICS CORP.



KEYSTONE ELECTRONICS CORP.			
www.keyelco.com • ASTORIA, N.Y. 11105-2017 • Tel (718) 956-8900			
PART NAME		STEEL HOLE PLUG	
MATERIAL		STEEL	
FINISH		DRN BY	DATE
NICKEL PLATE		NT	1.22.09
		APP'D	SCALE
		LN	1X
TOLERANCES	INCH [MM]	CODE	DWG NO.
DECIMAL	$\pm .005$ [± 0.15]	C/M	7611
ANGULAR	$\pm 1^\circ$	UNLESS OTHERWISE SPECIFIED	

1.22.09	CHANGE AS PER ECN 09-003	A
DATE	DESCRIPTION	REV.